



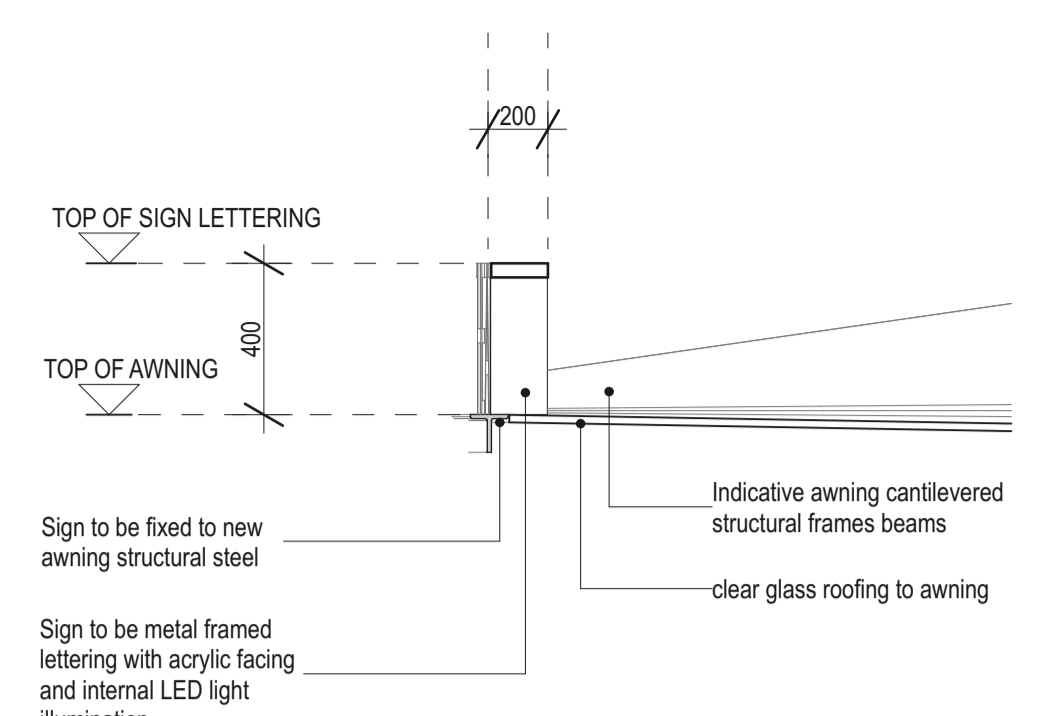
1 EXTERNAL SIGNAGE - MARIAN STREET FRONTAGE



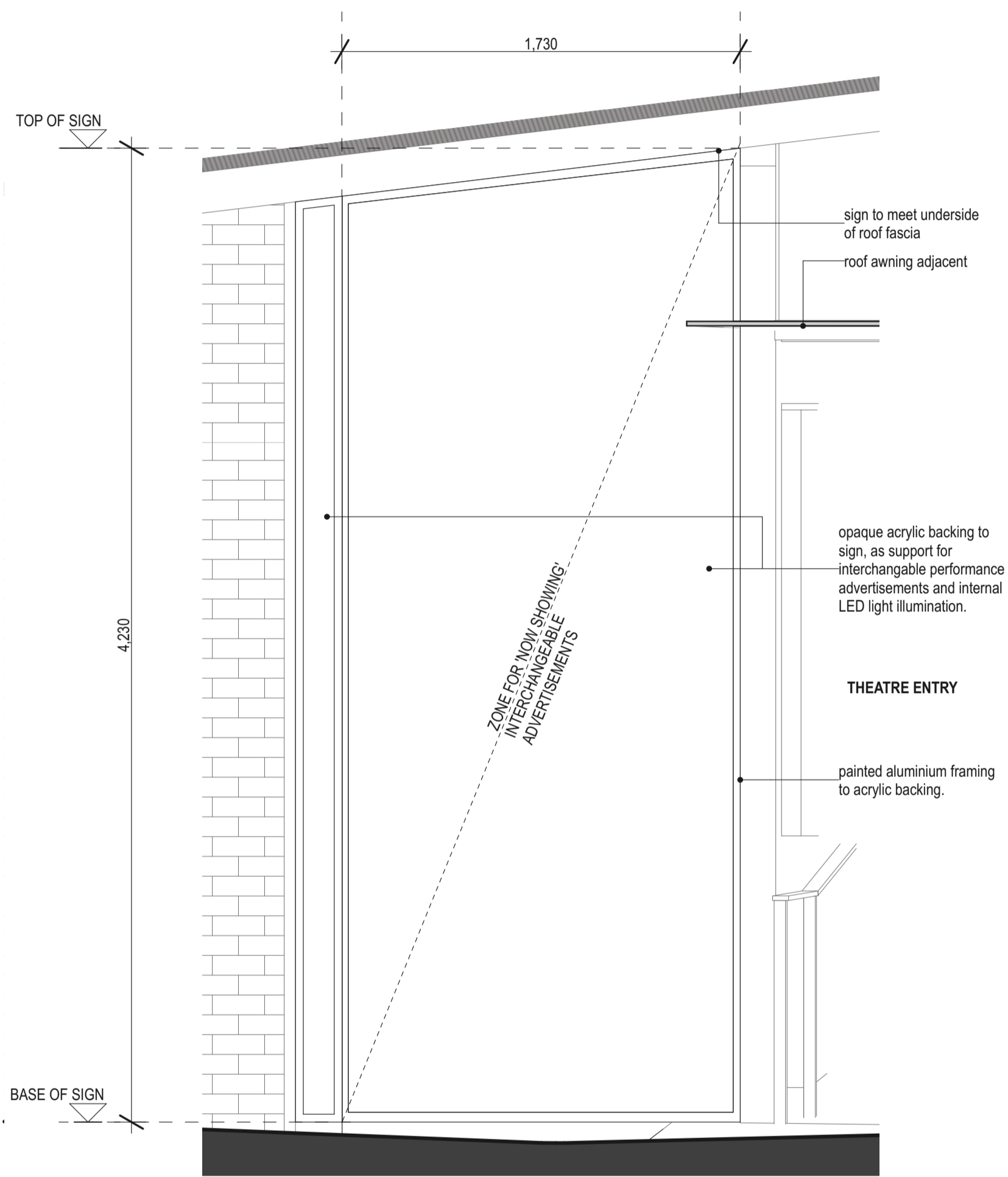
4 SIGN 03 - EXTERNAL SIGNAGE - REAR FACADE



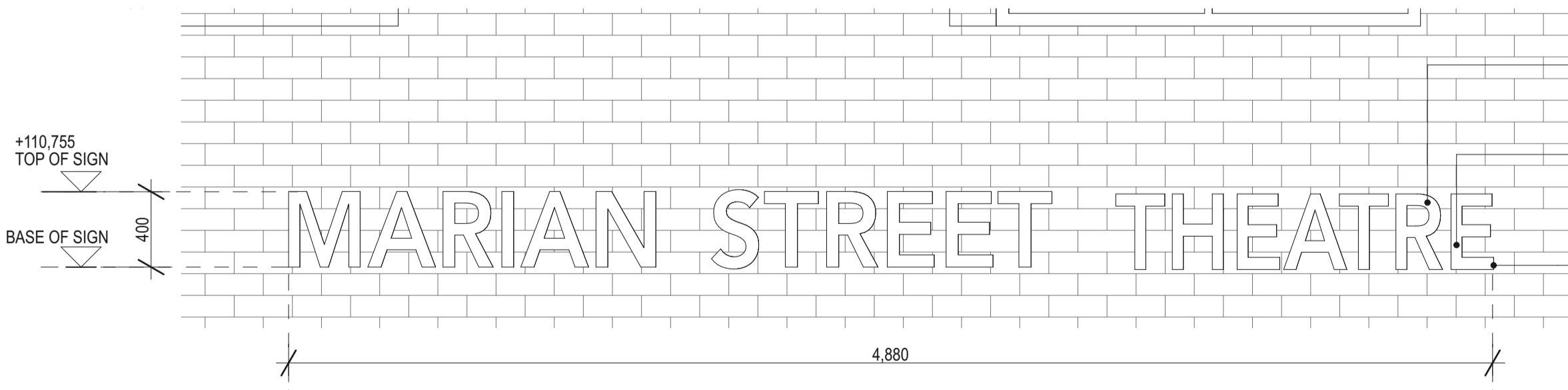
2 SIGN 01 - ILLUMINATED AWNING SIGNAGE ELEVATION 1:20



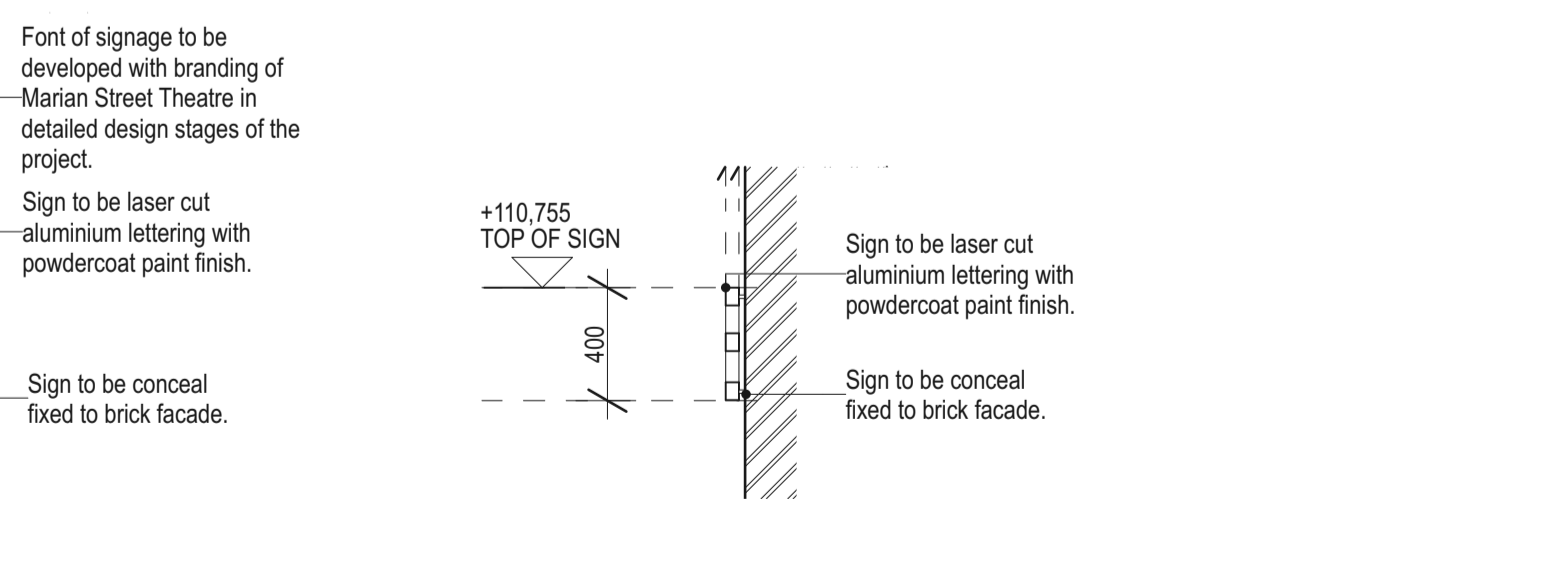
3 SIGN 01 - ILLUMINATED AWNING SIGNAGE SECTION 1:20



5 SIGN 02 - LIGHT BOX SIGNAGE - MARIAN STREET 1:20



6 SIGN 03 - REAR SIGNAGE ELEVATION 1:20



7 SIGN 03 - REAR SIGNAGE SECTION 1:20

DATE 22.JAN.2020	REV -	DESCRIPTION FOR DEVELOPMENT APPLICATION	NOTES Do not scale off drawings. Use figured dimensions only. Report any discrepancies to the architect. These designs, plans, specifications and the copyright therein are the property of Tonkin Zulaikha Greer Architects Pty Ltd, and must not be reproduced or copied wholly or in part without written permission of Tonkin Zulaikha Greer Architects Pty Ltd.	ACCESS CONSULTANT funktion Phone: (02) 9011 8128 Email: jen@funktion.com.au	ACOUSTIC ENGINEER Resonate Phone: (02) 8355 4888 Email: elle.hewett@resonate-consultants.com	ARBORIST Moore Trees Phone: (02) 4268 0425 Email: enquiries@mooretrees.com.au	BCA CONSULTANT Blackett Maguire + Goldsmith Phone: (02) 9211 7777 Email: tony@tmplusg.com.au	CIVIL ENGINEER Northrop Phone: 02 4226 3333 Email: eflack@northrop.com.au	CPTED CONSULTANT Ethos Urban Phone: +61 2 9409 4942 Email: cpon@ethosurban.com	CLIENT: KU-RING-GAI COUNCIL Phone: (02) 9424 0876 Email: dpayne@kmc.nsw.gov.au	PROJECT: MARIAN STREET THEATRE	ARCHITECT TONKIN ZULAIKHA GREER ARCHITECTS 117 Reservoir Street ABN: 4600272349 P: (02) 9215 4900 F: (02) 9215 4901 EMAIL: info@tzg.com.au WEB: www.tzg.com.au	DRAWING TITLE SIGNAGE PLANS -1	DRAWN BY LS, WR	
				ECOLOGY CONSULTANT Niche Environment and Heritage Phone: (02) 9194 0590 Email: joen@niche-eh.com	FIRE SAFETY Affinity Engineering Phone: (02) 9878 0205 Email: trenton@affinity-eng.com	GEOTECHNICAL ENGINEER Asset Geo Phone: (02) 9361 4549 Email: and@assetgeoenviro.com.au	LANDSCAPE ARCHITECT Spackman Mossop Michaels Phone: (02) 9152 8871 Email: and@smm.com.au	QUANTITY SURVEYOR BSM Consulting Phone: 02 9241 4188 Email: B.Challoran@northrop.com.au	SERVICES ENGINEERS Northrop Phone: 02 9241 4188 Email: B.Challoran@northrop.com.au		PROJECT NO : 19009	ARCHITECTS tonkin zulaikha greer	SCALES	CHECKED PT	DATE 9/4/21
				STRUCTURAL ENGINEER SDA Structures Phone: (02) 9810 6911 Email: andrew@sdastructures.com.au	THEATRE SERVICES Darkhouse Phone: 0410 486 002 Email: mark@darkhouse.com.au	URBAN PLANNER Ethos Urban Phone: +61 2 9956 6962 Email: ktudhope@ethosurban.com	WASTE CONSULTANT MRA Consulting Phone: 0431 948 611 Email: james.coxgrove@mraconsulting.com.au						PHASE DEVELOPMENT APPLICATION	DRAWING NO A-405	REV -